



340

Hydraulic Excavator

Technical Specifications

Configurations and features may vary by region. Please consult your Cat® dealer for availability in your area.

Table of Contents

Specifications	2
Engine	2
Swing Mechanism	2
Weights	2
Track	2
Drive	2
Hydraulic System	2
Service Refill Capacities	2
Standards	2
Sound Performance	3
Air Conditioning System	3
Operating Weights and Ground Pressures	3
Major Component Weights	7
Dimensions	9
Working Ranges and Forces	13
Bucket Specifications and Compatibility	17
Attachments Offering Guide	19
Standard and Optional Equipment	22
Dealer Installed Kits and Attachments	24
Cab Options	25
340 Environmental Declaration	26

340 Hydraulic Excavator Specifications

Engine

Engine Model	Cat® C9.3B	
Net Power		
ISO 9249	258.3 kW	346 hp
ISO 9249 (DIN)	351 hp (metric)	
Engine Power		
ISO 14396	259.0 kW	347 hp
ISO 14396 (DIN)	352 hp (metric)	
Bore	115 mm	5 in
Stroke	149 mm	6 in
Displacement	9.3 L	568 in ³
Biodiesel capability	Up to B20 ⁽¹⁾	

- Meets U.S. EPA Tier 4 Final, EU Stage V, and Japan 2014 emission standards.
- Recommended for use up to 4500 m (14,760 ft) altitude with engine power derate above 3000 m (9,840 ft).
- Advertised power is tested per the specified standard in effect at the time of manufacture.
- Net power is the power available at the flywheel when the engine is equipped with fan at minimum speed, air intake system, exhaust system, and alternator with engine speed at 1,900 rpm.

⁽¹⁾All Cat nonroad U.S. EPA Tier 4 Final, EU Stage V, Japan 2014, Korea Stage V, India CEV Stage V, and China Nonroad Stage IV diesel engines are required to use ULSD (ultra-low sulfur diesel with 15 ppm of sulfur or less) or ULSD blended with the following lower-carbon intensity fuels** up to:

- ✓ 20% biodiesel FAME (fatty acid methyl ester)*
- ✓ 100% renewable diesel, HVO (hydrotreated vegetable oil) and GTL (gas-to-liquid) fuels

Refer to guidelines for successful application. Please consult your Cat dealer or “Caterpillar Machine Fluids Recommendations” (SEBU6250) for details.

**Engines with no aftertreatment devices can use higher blends, up to 100% biodiesel (for use of blends higher than 20% biodiesel, consult your Cat dealer).*

***Tailpipe greenhouse gas emissions from lower-carbon intensity fuels are essentially the same as traditional fuels.*

Swing Mechanism

Swing Speed	8.84 rpm	
Maximum Swing Torque	143 kN·m	105,214 lbf·ft

Weights

Operating Weight	35 700 kg	78,800 lb
------------------	-----------	-----------

- Long Undercarriage, Reach Boom, R3.2DB (10'6") Stick, General Duty Excavation (GDX) 1.50 m³ (1.96 yd³) Bucket, 700 mm (28") Triple Grouser Shoes, 6.8 mt (15,000 lb) Counterweight.

Track

Optional Track Shoes Width	600 mm	24 in
Optional Track Shoes Width	700 mm	28 in
Optional Track Shoes Width	800 mm	31 in
Number of Shoes (each side)	49	
Number of Track Rollers (each side)	8	
Number of Carrier Rollers (each side)	2	

Drive

Maximum Gradeability	35°/70%	
Maximum Travel Speed	4.7 km/h	2.9 mph
Maximum Drawbar Pull	302.3 kN	67,960 lbf

Hydraulic System

Main System – Maximum Flow – Implement	560 L/min (280 × 2 pumps)	148 gal/min (74 × 2 pumps)
Maximum Pressure – Equipment – Implement	35 000 kPa	5,076 psi
Maximum Pressure – Equipment – Lift Mode	38 000 kPa	5,511 psi
Maximum Pressure – Travel	35 000 kPa	5,076 psi
Maximum Pressure – Swing	29 400 kPa	4,264 psi
Boom Cylinder – Bore	150 mm	6 in
Boom Cylinder – Stroke	1440 mm	57 in
Stick Cylinder – Bore	170 mm	7 in
Stick Cylinder – Stroke	1738 mm	68 in
DB Bucket Cylinder – Bore	150 mm	6 in
DB Bucket Cylinder – Stroke	1151 mm	45 in
TB Bucket Cylinder – Bore	160 mm	6 in
TB Bucket Cylinder – Stroke	1356 mm	53 in

Service Refill Capacities

Fuel Tank Capacity	600 L	158.5 gal
Cooling System	40 L	10.5 gal
Engine Oil (with filter)	32 L	8.5 gal
Swing Drive	18 L	4.8 gal
Final Drive (each)	8 L	2.1 gal
Hydraulic System (including tank)	373 L	98.5 gal
Hydraulic Tank (including suction pipe)	161 L	42.5 gal
Diesel Exhaust Fluid (DEF) Tank	80 L	21.1 gal

Standards

Brakes	ISO 10265:2008
Cab/Operator Protective Guards (OPG) (optional)	ISO 10262:1998 Level II
Cab/Rollover Protective Structure (ROPS)	ISO 12117-2:2008

340 Hydraulic Excavator Specifications

Sound Performance

ISO 6395:2008 (external) 106 dB(A)

ISO 6396:2008 (inside cab) 73 dB(A)

- Hearing protection may be needed when operating with an open operator station and cab (when not properly maintained or doors/windows open) for extended periods or in a noisy environment.

Air Conditioning System

The air conditioning system on this machine contains the fluorinated greenhouse gas refrigerant R134a (Global Warming Potential = 1430). The system contains 1.00 kg of refrigerant which has a CO₂ equivalent of 1.430 metric tonne.

Operating Weights and Ground Pressures

	600 mm (24") Double Grouser Shoes		700 mm (28") Triple Grouser Shoes		800 mm (31") Triple Grouser Shoes		800 mm (31") Triple Grouser Shoes HD	
	Weight	Ground Pressure	Weight	Ground Pressure	Weight	Ground Pressure	Weight	Ground Pressure
	kg (lb)	kPa (psi)	kg (lb)	kPa (psi)	kg (lb)	kPa (psi)	kg (lb)	kPa (psi)
Base Machine Configurations								
Base Frame with HD Track Rollers and Carrier Rollers for Long Wide Undercarriage								
6.8 mt (15,000 lb) Counterweight + Long Wide Undercarriage Base Machine + Reach Boom								
R3.9 m (12'10") DB Stick + 1.50 m ³ (1.96 yd ³) GDX Bucket	36 500 (80,500)	68.0 (9.9)	36 100 (79,600)	57.6 (8.4)	36 700 (81,000)	51.3 (7.4)	37 300 (82,300)	52.2 (7.6)
R3.2 m (10'6") DB Stick + 1.50 m ³ (1.96 yd ³) GDX Bucket	36 300 (80,100)	67.7 (9.8)	35 900 (79,200)	57.3 (8.3)	36 600 (80,600)	51.1 (7.4)	37 200 (81,900)	51.9 (7.5)
R2.8 m (9'2") DB Stick + 1.50 m ³ (1.96 yd ³) GDX Bucket	36 200 (79,800)	67.5 (9.8)	35 800 (78,900)	57.2 (8.3)	36 500 (80,400)	50.9 (7.4)	37 100 (81,700)	51.8 (7.5)
6.8 mt (15,000 lb) Counterweight + Long Wide Undercarriage Base Machine + Mass Boom								
M2.55 m (8'4") TB Stick + 1.90 m ³ (2.48 yd ³) GDX Bucket	37 500 (82,700)	69.9 (10.1)	37 100 (81,800)	59.2 (8.6)	37 800 (83,200)	52.7 (7.7)	38 400 (84,600)	53.6 (7.8)
7.56 mt (16,700 lb) Counterweight + Long Wide Undercarriage Base Machine + Reach Boom								
R3.9 m (12'10") DB Stick + 1.50 m ³ (1.96 yd ³) GDX Bucket	37 400 (82,400)	69.6 (10.1)	36 900 (81,500)	59.0 (8.6)	37 600 (82,900)	52.5 (7.6)	38 200 (84,200)	53.4 (7.7)
R3.2 m (10'6") DB Stick + 1.50 m ³ (1.96 yd ³) GDX Bucket	37 200 (82,000)	69.3 (10.0)	36 800 (81,100)	58.7 (8.5)	37 400 (82,500)	52.3 (7.6)	38 000 (83,800)	53.1 (7.7)
R2.8 m (9'2") DB Stick + 1.50 m ³ (1.96 yd ³) GDX Bucket	37 100 (81,700)	69.1 (10.0)	36 700 (80,800)	58.5 (8.5)	37 300 (82,300)	52.1 (7.6)	37 900 (83,600)	53.0 (7.7)
7.56 mt (16,700 lb) Counterweight + Long Wide Undercarriage Base Machine + Mass Boom								
M2.55 m (8'4") TB Stick + 1.90 m ³ (2.48 yd ³) GDX Bucket	38 400 (84,600)	71.5 (10.4)	38 000 (83,700)	60.6 (8.8)	38 600 (85,100)	53.9 (7.8)	39 200 (86,400)	54.8 (7.9)
7.56 mt (16,700 lb) Counterweight + Long Wide Undercarriage Base Machine + HD Reach Boom								
HD R3.9 m (12'10") DB Stick + 1.50 m ³ (1.96 yd ³) GDX Bucket	37 600 (82,900)	70.0 (10.2)	37 200 (82,000)	59.4 (8.6)	37 800 (83,400)	52.9 (7.7)	38 400 (84,800)	53.7 (7.8)
HD R3.2 m (10'6") DB Stick + 1.50 m ³ (1.96 yd ³) GDX Bucket	37 400 (82,500)	69.7 (10.1)	37 000 (81,600)	59.1 (8.6)	37 700 (83,100)	52.6 (7.6)	38 300 (84,400)	53.5 (7.8)
HD R2.8 m (9'2") DB Stick + 1.50 m ³ (1.96 yd ³) GDX Bucket	37 300 (82,300)	69.5 (10.1)	36 900 (81,400)	58.9 (8.5)	37 600 (82,800)	52.5 (7.6)	38 200 (84,100)	53.3 (7.7)

All operating weights include a 90% fuel tank with 75 kg (165 lb) operator.

(continued on next page)

340 Hydraulic Excavator Specifications

Operating Weights and Ground Pressures *(continued)*

Base Machine Configurations	600 mm (24") Double Grouser Shoes		700 mm (28") Triple Grouser Shoes		800 mm (31") Triple Grouser Shoes		800 mm (31") Triple Grouser Shoes HD	
	Weight	Ground Pressure	Weight	Ground Pressure	Weight	Ground Pressure	Weight	Ground Pressure
	kg (lb)	kPa (psi)	kg (lb)	kPa (psi)	kg (lb)	kPa (psi)	kg (lb)	kPa (psi)
Base Frame with DF Track Rollers and Carrier Rollers for Long Wide Undercarriage								
6.8 mt (15,000 lb) Counterweight + Long Wide Undercarriage Base Machine + Reach Boom								
R3.9 m (12'10") DB Stick + 1.50 m ³ (1.96 yd ³) GDX Bucket	36 600 (80,700)	68.2 (9.9)	36 200 (79,900)	57.8 (8.4)	36 900 (81,300)	51.5 (7.5)	37 500 (82,600)	52.3 (7.6)
R3.2 m (10'6") DB Stick + 1.50 m ³ (1.96 yd ³) GDX Bucket	36 500 (80,400)	67.9 (9.8)	36 000 (79,500)	57.5 (8.3)	36 700 (80,900)	51.3 (7.4)	37 300 (82,200)	52.1 (7.6)
R2.8 m (9'2") DB Stick + 1.50 m ³ (1.96 yd ³) GDX Bucket	36 300 (80,100)	67.7 (9.8)	35 900 (79,200)	57.4 (8.3)	36 600 (80,700)	51.1 (7.4)	37 200 (82,000)	52.0 (7.5)
6.8 mt (15,000 lb) Counterweight + Long Wide Undercarriage Base Machine + Mass Boom								
M2.55 m (8'4") TB Stick + 1.90 m ³ (2.48 yd ³) GDX Bucket	37 600 (83,000)	70.1 (10.2)	37 200 (82,100)	59.5 (8.6)	37 900 (83,500)	52.9 (7.7)	38 500 (84,800)	53.8 (7.8)
7.56 mt (16,700 lb) Counterweight + Long Wide Undercarriage Base Machine + Reach Boom								
R3.9 m (12'10") DB Stick + 1.50 m ³ (1.96 yd ³) GDX Bucket	37 500 (82,600)	69.8 (10.1)	37 100 (81,700)	59.2 (8.6)	37 700 (83,200)	52.7 (7.6)	38 300 (84,500)	53.5 (7.8)
R3.2 m (10'6") DB Stick + 1.50 m ³ (1.96 yd ³) GDX Bucket	37 300 (82,300)	69.5 (10.1)	36 900 (81,400)	58.9 (8.5)	37 600 (82,800)	52.5 (7.6)	38 200 (84,100)	53.3 (7.7)
R2.8 m (9'2") DB Stick + 1.50 m ³ (1.96 yd ³) GDX Bucket	37 200 (82,000)	69.3 (10.1)	36 800 (81,100)	58.8 (8.5)	37 400 (82,600)	52.3 (7.6)	38 000 (83,900)	53.2 (7.7)
7.56 mt (16,700 lb) Counterweight + Long Wide Undercarriage Base Machine + Mass Boom								
M2.55 m (8'4") TB Stick + 1.90 m ³ (2.48 yd ³) GDX Bucket	38 500 (84,900)	71.7 (10.4)	38 100 (84,000)	60.8 (8.8)	38 700 (85,400)	54.1 (7.9)	39 300 (86,700)	55.0 (8.0)
7.56 mt (16,700 lb) Counterweight + Long Wide Undercarriage Base Machine + HD Reach Boom								
HD R3.9 m (12'10") DB Stick + 1.50 m ³ (1.96 yd ³) GDX Bucket	37 700 (83,200)	70.3 (10.2)	37 300 (82,300)	59.6 (8.6)	38 000 (83,700)	53.1 (7.7)	38 600 (85,100)	53.9 (7.8)
HD R3.2 m (10'6") DB Stick + 1.50 m ³ (1.96 yd ³) GDX Bucket	37 600 (82,800)	70.0 (10.1)	37 200 (81,900)	59.3 (8.6)	37 800 (83,300)	52.8 (7.7)	38 400 (84,700)	53.7 (7.8)
HD R2.8 m (9'2") DB Stick + 1.50 m ³ (1.96 yd ³) GDX Bucket	37 500 (82,600)	69.8 (10.1)	37 100 (81,700)	59.2 (8.6)	37 700 (83,100)	52.7 (7.6)	38 300 (84,400)	53.5 (7.8)

All operating weights include a 90% fuel tank with 75 kg (165 lb) operator.

(continued on next page)

340 Hydraulic Excavator Specifications

Operating Weights and Ground Pressures *(continued)*

Base Machine Configurations	600 mm (24") Double Grouser Shoes		700 mm (28") Triple Grouser Shoes		800 mm (31") Triple Grouser Shoes		800 mm (31") Triple Grouser Shoes HD	
	Weight	Ground Pressure	Weight	Ground Pressure	Weight	Ground Pressure	Weight	Ground Pressure
	kg (lb)	kPa (psi)	kg (lb)	kPa (psi)	kg (lb)	kPa (psi)	kg (lb)	kPa (psi)
Base Frame with HD Track Rollers and Carrier Rollers for Long Undercarriage								
6.8 mt (15,000 lb) Counterweight + Long Undercarriage Base Machine + Reach Boom								
R3.9 m (12'10") DB Stick + 1.50 m ³ (1.96 yd ³) GDX Bucket	36 300 (80,000)	67.6 (9.8)	35 900 (79,100)	57.3 (8.3)	36 500 (80,600)	51.1 (7.4)	37 100 (81,900)	51.9 (7.5)
R3.2 m (10'6") DB Stick + 1.50 m ³ (1.96 yd ³) GDX Bucket	36 100 (79,700)	67.3 (9.8)	35 700 (78,800)	57.0 (8.3)	36 400 (80,200)	50.8 (7.4)	37 000 (81,500)	51.7 (7.5)
R2.8 m (9'2") DB Stick + 1.50 m ³ (1.96 yd ³) GDX	36 000 (79,400)	67.1 (9.7)	35 600 (78,500)	56.9 (8.2)	36 300 (80,000)	50.7 (7.3)	36 900 (81,300)	51.5 (7.5)
6.8 mt (15,000 lb) Counterweight + Long Undercarriage Base Machine + Mass Boom								
M2.55 m (8'4") TB Stick + 1.90 m ³ (2.48 yd ³) GDX Bucket	37 300 (82,300)	69.5 (10.1)	36 900 (81,400)	58.9 (8.5)	37 600 (82,800)	52.5 (7.6)	38 200 (84,100)	53.3 (7.7)
7.56 mt (16,700 lb) Counterweight + Long Undercarriage Base Machine + Reach Boom								
R3.9 m (12'10") DB Stick + 1.50 m ³ (1.96 yd ³) GDX Bucket	37 200 (81,900)	69.2 (10.0)	36 800 (81,000)	58.7 (8.5)	37 400 (82,500)	52.3 (7.6)	38 000 (83,800)	53.1 (7.7)
R3.2 m (10'6") DB Stick + 1.50 m ³ (1.96 yd ³) GDX Bucket	37 000 (81,500)	68.9 (10.0)	36 600 (80,700)	58.4 (8.5)	37 200 (82,100)	52.0 (7.5)	37 800 (83,400)	52.9 (7.7)
R2.8 m (9'2") DB Stick + 1.50 m ³ (1.96 yd ³) GDX Bucket	36 900 (81,300)	68.7 (10.0)	36 500 (80,400)	58.2 (8.4)	37 100 (81,900)	51.9 (7.5)	37 700 (83,200)	52.7 (7.6)
7.56 mt (16,700 lb) Counterweight + Long Undercarriage Base Machine + Mass Boom								
M2.55 m (8'4") TB Stick + 1.90 m ³ (2.48 yd ³) GDX Bucket	38 200 (84,200)	71.1 (10.3)	37 800 (83,300)	60.3 (8.7)	38 400 (84,700)	53.7 (7.8)	39 000 (86,000)	54.5 (7.9)
7.56 mt (16,700 lb) Counterweight + Long Undercarriage Base Machine + HD Reach Boom								
HD R3.9 m (12'10") DB Stick + 1.50 m ³ (1.96 yd ³) GDX Bucket	37 400 (82,500)	69.7 (10.1)	37 000 (81,600)	59.1 (8.6)	37 700 (83,000)	52.6 (7.6)	38 300 (84,300)	53.4 (7.8)
HD R3.2 m (10'6") DB Stick + 1.50 m ³ (1.96 yd ³) GDX Bucket	37 200 (82,100)	69.4 (10.1)	36 800 (81,200)	58.8 (8.5)	37 500 (82,600)	52.4 (7.6)	38 100 (84,000)	53.2 (7.7)
HD R2.8 m (9'2") DB Stick + 1.50 m ³ (1.96 yd ³) GDX Bucket	37 100 (81,900)	69.2 (10.0)	36 700 (81,000)	58.6 (8.5)	37 400 (82,400)	52.2 (7.6)	38 000 (83,700)	53.1 (7.7)

All operating weights include a 90% fuel tank with 75 kg (165 lb) operator.

(continued on next page)

340 Hydraulic Excavator Specifications

Operating Weights and Ground Pressures *(continued)*

Base Machine Configurations	600 mm (24") Double Grouser Shoes		700 mm (28") Triple Grouser Shoes		800 mm (31") Triple Grouser Shoes		800 mm (31") Triple Grouser Shoes HD	
	Weight	Ground Pressure	Weight	Ground Pressure	Weight	Ground Pressure	Weight	Ground Pressure
	kg (lb)	kPa (psi)	kg (lb)	kPa (psi)	kg (lb)	kPa (psi)	kg (lb)	kPa (psi)
Base Frame with DF Track Rollers and Carrier Rollers for Long Undercarriage								
6.8 mt (15,000 lb) Counterweight + Long Undercarriage Base Machine + Reach Boom								
R3.9 m (12'10") DB Stick + 1.50 m ³ (1.96 yd ³) GDX Bucket	36 400 (80,300)	67.9 (9.8)	36 000 (79,400)	57.5 (8.3)	36 700 (80,900)	51.2 (7.4)	37 300 (82,200)	52.1 (7.6)
R3.2 m (10'6") DB Stick + 1.50 m ³ (1.96 yd ³) GDX Bucket	36 300 (79,900)	67.5 (9.8)	35 900 (79,000)	57.2 (8.3)	36 500 (80,500)	51.0 (7.4)	37 100 (81,800)	51.8 (7.5)
R2.8 m (9'2") DB Stick + 1.50 m ³ (1.96 yd ³) GDX Bucket	36 200 (79,700)	67.4 (9.8)	35 800 (78,800)	57.1 (8.3)	36 400 (80,300)	50.9 (7.4)	37 000 (81,600)	51.7 (7.5)
6.8 mt (15,000 lb) Counterweight + Long Undercarriage Base Machine + Mass Boom								
M2.55 m (8'4") TB Stick + 1.90 m ³ (2.48 yd ³) GDX Bucket	37 500 (82,600)	69.8 (10.1)	37 000 (81,700)	59.2 (8.6)	37 700 (83,100)	52.7 (7.6)	38 300 (84,400)	53.5 (7.8)
7.56 mt (16,700 lb) Counterweight + Long Undercarriage Base Machine + Reach Boom								
R3.9 m (12'10") DB Stick + 1.50 m ³ (1.96 yd ³) GDX Bucket	37 300 (82,200)	69.5 (10.1)	36 900 (81,300)	58.9 (8.5)	37 500 (82,800)	52.4 (7.6)	38 100 (84,100)	53.3 (7.7)
R3.2 m (10'6") DB Stick + 1.50 m ³ (1.96 yd ³) GDX Bucket	37 100 (81,800)	69.1 (10.0)	36 700 (80,900)	58.6 (8.5)	37 400 (82,400)	52.2 (7.6)	38 000 (83,700)	53.0 (7.7)
R2.8 m (9'2") DB Stick + 1.50 m ³ (1.96 yd ³) GDX Bucket	37 000 (81,600)	69.0 (10.0)	36 600 (80,700)	58.5 (8.5)	37 300 (82,100)	52.1 (7.5)	37 900 (83,500)	52.9 (7.7)
7.56 mt (16,700 lb) Counterweight + Long Undercarriage Base Machine + Mass Boom								
M2.55 m (8'4") TB Stick + 1.90 m ³ (2.48 yd ³) GDX Bucket	38 300 (84,500)	71.4 (10.4)	37 900 (83,600)	60.5 (8.8)	38 600 (85,000)	53.9 (7.8)	39 200 (86,300)	54.7 (7.9)
7.56 mt (16,700 lb) Counterweight + Long Undercarriage Base Machine + HD Reach Boom								
HD R3.9 m (12'10") DB Stick + 1.50 m ³ (1.96 yd ³) GDX Bucket	37 500 (82,800)	69.9 (10.1)	37 100 (81,900)	59.3 (8.6)	37 800 (83,300)	52.8 (7.7)	38 400 (84,600)	53.6 (7.8)
HD R3.2 m (10'6") DB Stick + 1.50 m ³ (1.96 yd ³) GDX Bucket	37 400 (82,400)	69.6 (10.1)	37 000 (81,500)	59.0 (8.6)	37 600 (82,900)	52.5 (7.6)	38 200 (84,200)	53.4 (7.7)
HD R2.8 m (9'2") DB Stick + 1.50 m ³ (1.96 yd ³) GDX Bucket	37 300 (82,200)	69.4 (10.1)	36 900 (81,300)	58.9 (8.5)	37 500 (82,700)	52.4 (7.6)	38 100 (84,000)	53.2 (7.7)

All operating weights include a 90% fuel tank with 75 kg (165 lb) operator.

340 Hydraulic Excavator Specifications

Major Component Weights

	kg	lb
Base Machine Weight (including upperframe, undercarriage, counterweight, boom cylinders – does not include boom, stick, bucket, stick cylinder, bucket cylinder, tracks, fuel, operator)		
With 6.8 mt (15,000 lb) Counterweight, Standard Swing Frame, Base Frame with HD Track Rollers and Carrier Rollers for Long Wide Undercarriage	24 460	53,930
With 6.8 mt (15,000 lb) Counterweight, Standard Swing Frame, Base Frame with Double Flange (DF) Track Rollers and Carrier Rollers for Long Wide Undercarriage	24 590	54,220
With 7.56 mt (16,700 lb) Counterweight, HD Swing Frame, Base Frame with HD Track Rollers and Carrier Rollers for Long Wide Undercarriage	25 320	55,830
With 7.56 mt (16,700 lb) Counterweight, HD Swing Frame, Base Frame with DF Track Rollers and Carrier Rollers for Long Wide Undercarriage	25 450	56,110
With 6.8 mt (15,000 lb) Counterweight, Standard Swing Frame, Base Frame with HD Track Rollers and Carrier Rollers for Long Undercarriage	24 270	53,520
With 6.8 mt (15,000 lb) Counterweight, Standard Swing Frame, Base Frame with DF Track Rollers and Carrier Rollers for Long Undercarriage	24 410	53,810
With 7.56 mt (16,700 lb) Counterweight, HD Swing Frame, Base Frame with HD Track Rollers and Carrier Rollers for Long Undercarriage	25 130	55,410
With 7.56 mt (16,700 lb) Counterweight, HD Swing Frame, Base Frame with DF Track Rollers and Carrier Rollers for Long Undercarriage	25 260	55,700
Track Shoes:		
600 mm (24") Width, 15.5 mm (0.61") Thick, Double Grouser Track Shoes	4850	10,700
600 mm (24") Width, 15.5 mm (0.61") Thick, HD Triple Grouser Track Shoes	4750	10,470
700 mm (28") Width, 11 mm (0.43") Thick, Triple Grouser Track Shoes	4450	9,800
800 mm (31") Width, 13 mm (0.51") Thick, Triple Grouser Track Shoes	5100	11,230
800 mm (31") Width, 15.5 mm (0.61") Thick, HD Triple Grouser Track Shoes	5690	12,550
Two Boom Cylinders	670	1,470
Weight of 90% Fuel Tank and 75 kg (165 lb) Operator	550	1,210
Counterweights:		
6.8 mt (15,000 lb) Counterweight	6800	14,990
7.56 mt (16,700 lb) Counterweight	7560	16,670
Swing Frames:		
Standard Swing Frame	3160	6,960
HD Swing Frame	3260	7,180
Undercarriage:		
Base Frame with HD Track Rollers and Carrier Rollers for Long Wide Undercarriage	8480	18,700
Base Frame with DF Track Rollers and Carrier Rollers for Long Wide Undercarriage	8610	18,990
Base Frame with HD Track Rollers and Carrier Rollers for Long Undercarriage	8290	18,280
Base Frame with DF Track Rollers and Carrier Rollers for Long Undercarriage	8420	18,570

(continued on next page)

340 Hydraulic Excavator Specifications

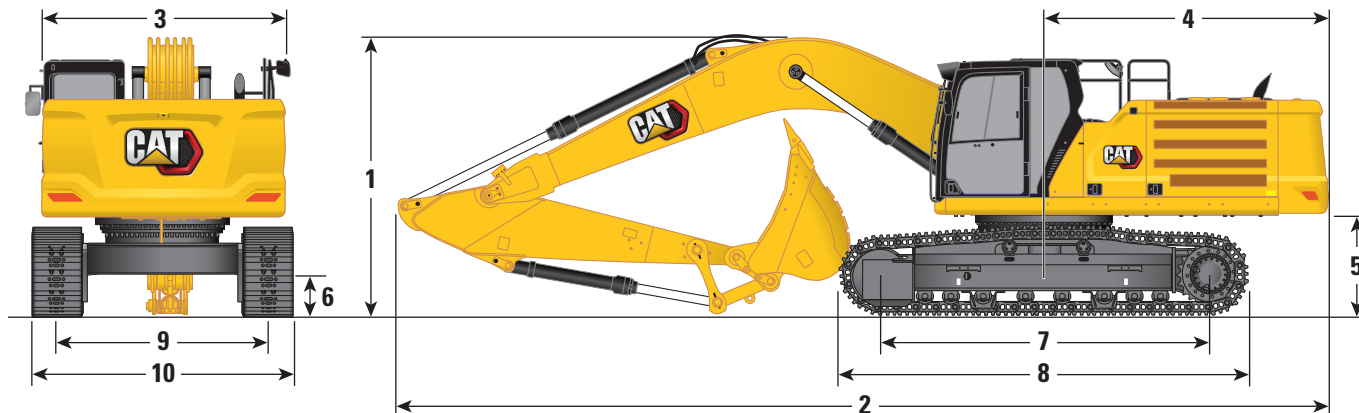
Major Component Weights *(continued)*

	kg	lb
Booms (including lines, pins, stick cylinder):		
Reach Boom 6.5 m (21'4")	3280	7,230
Mass Boom 6.18 m (20'3")	3500	7,710
HD Reach Boom 6.5 m (21'4")	3480	7,670
Sticks (including lines, pins, bucket cylinder, bucket linkage):		
Reach Stick R2.8DB (9'2")	1760	3,870
Reach Stick R3.2DB (10'6")	1860	4,100
Reach Stick R3.9DB (12'10")	2040	4,490
Mass Stick M2.55TB (8'4")	2120	4,680
HD Reach Stick R2.8DB (9'2")	1810	4,000
HD Reach Stick R3.2DB (10'6")	1920	4,220
HD Reach Stick R3.9DB (12'10")	2090	4,610
Buckets (without linkage):		
1.50 m ³ (1.96 yd ³) GDX	1310	2,900
1.90 m ³ (2.48 yd ³) GDX	2030	4,470
Quick Coupler (QC):		
Pin Grabber QC	700	1,550

340 Hydraulic Excavator Specifications

Dimensions

All dimensions are approximate and may vary depending on bucket selection.



Undercarriage Options

Long Wide Undercarriage

Boom Options

Reach Boom 6.5 m (21'4")

Stick Options

Reach Stick

	R3.9DB (12'10")	R3.2DB (10'6")	R2.8DB (9'2")
--	-----------------	----------------	---------------

1 Machine Height:

	R3.9DB (12'10")	R3.2DB (10'6")	R2.8DB (9'2")
Cab Height	3180 mm	10'5"	3180 mm
OPG Height	3330 mm	10'11"	3330 mm
Guardrails/Handrails Height	3180 mm	10'5"	3180 mm
With Boom/Stick/Bucket Installed	3660 mm	12'0"	3580 mm
With Boom/Stick Installed	3520 mm	11'7"	3420 mm
With Boom Installed	2880 mm	9'5"	2880 mm
With Boom/Stick/Bucket Installed (with auxiliary lines)	3710 mm	12'2"	3600 mm
With Boom/Stick Installed (with auxiliary lines)	3570 mm	11'9"	3470 mm
With Boom Installed (with auxiliary lines)	2970 mm	9'9"	2970 mm

2 Machine Length:

With Boom/Stick/Bucket Installed	11 180 mm	36'8"	11 130 mm	36'6"	11 190 mm	36'9"
With Boom/Stick Installed	11 160 mm	36'7"	11 120 mm	36'6"	11 160 mm	36'7"
With Boom Installed	9960 mm	32'8"	9960 mm	32'8"	9960 mm	32'8"
With Boom/Stick/Bucket Installed (with auxiliary lines)	11 180 mm	36'8"	11 130 mm	36'6"	11 190 mm	36'9"
With Boom/Stick Installed (with auxiliary lines)	11 170 mm	36'8"	11 120 mm	36'6"	11 170 mm	36'8"
With Boom Installed (with auxiliary lines)	10 010 mm	32'10"	10 010 mm	32'10"	10 010 mm	32'10"

3 Upperframe Width without Walkways

	2970 mm	9'9"	2970 mm	9'9"	2970 mm	9'9"
--	---------	------	---------	------	---------	------

4 Tail Swing Radius

	3530 mm	11'7"	3530 mm	11'7"	3530 mm	11'7"
--	---------	-------	---------	-------	---------	-------

5 Counterweight Clearance

	1260 mm	4'2"	1260 mm	4'2"	1260 mm	4'2"
--	---------	------	---------	------	---------	------

6 Ground Clearance

	510 mm	1'8"	510 mm	1'8"	510 mm	1'8"
--	--------	------	--------	------	--------	------

7 Track Length – Length to Center of Rollers

	4040 mm	13'3"	4040 mm	13'3"	4040 mm	13'3"
--	---------	-------	---------	-------	---------	-------

8 Track Length

	5030 mm	16'6"	5030 mm	16'6"	5030 mm	16'6"
--	---------	-------	---------	-------	---------	-------

9 Track Gauge – Extended

	2740 mm	9'0"	2740 mm	9'0"	2740 mm	9'0"
--	---------	------	---------	------	---------	------

10 Track Width/Undercarriage Width (with steps):

600 mm (24") Shoes	3340 mm	10'11"	3340 mm	10'11"	3340 mm	10'11"
700 mm (28") Shoes	3440 mm	11'3"	3440 mm	11'3"	3440 mm	11'3"
800 mm (31") Shoes	3540 mm	11'7"	3540 mm	11'7"	3540 mm	11'7"

Bucket Type

	GDX		GDX		GDX	
--	-----	--	-----	--	-----	--

Bucket Capacity

	1.50 m ³	1.96 yd ³	1.50 m ³	1.96 yd ³	1.50 m ³	1.96 yd ³
--	---------------------	----------------------	---------------------	----------------------	---------------------	----------------------

Bucket Tip Radius

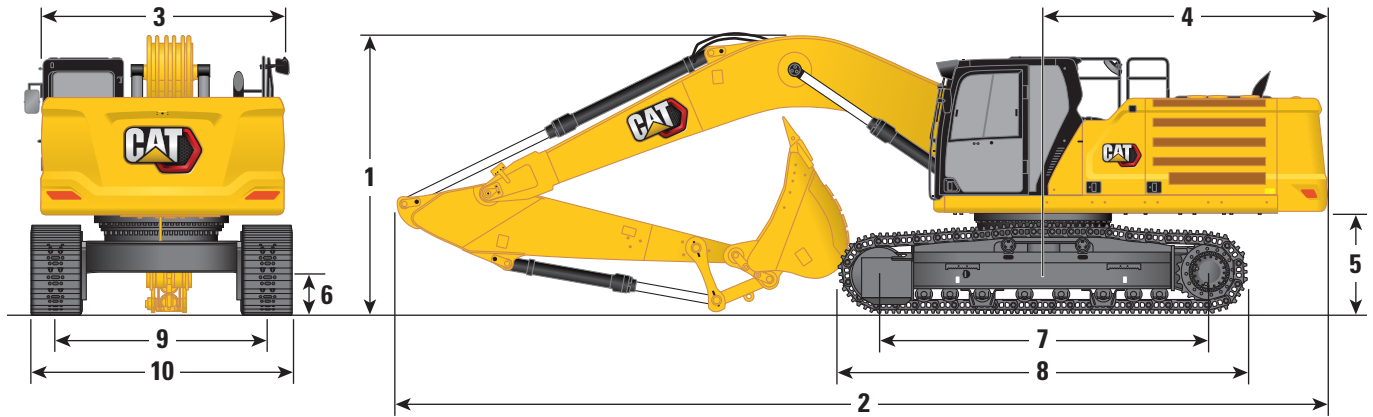
	1680 mm	5.5 ft	1680 mm	5.5 ft	1680 mm	5.5 ft
--	---------	--------	---------	--------	---------	--------

(continued on next page)

340 Hydraulic Excavator Specifications

Dimensions (continued)

All dimensions are approximate and may vary depending on bucket selection.



Undercarriage Options

Long Wide Undercarriage

Boom Options

Mass Boom
6.18 m (20'3")

Stick Options

Mass Stick
M2.55TB (8'4")

1 Machine Height:

Cab Height	3180 mm	10'5"
OPG Height	3330 mm	10'11"
Guardrails/Handrails Height	3180 mm	10'5"
With Boom/Stick/Bucket Installed	3590 mm	11'9"
With Boom/Stick Installed	3330 mm	10'11"
With Boom Installed	2830 mm	9'3"
With Boom/Stick/Bucket Installed (with auxiliary lines)	3600 mm	11'10"
With Boom/Stick Installed (with auxiliary lines)	3350 mm	11'0"
With Boom Installed (with auxiliary lines)	2900 mm	9'6"

2 Machine Length:

With Boom/Stick/Bucket Installed	10 870 mm	35'8"
With Boom/Stick Installed	10 810 mm	35'6"
With Boom Installed	9640 mm	31'8"
With Boom/Stick/Bucket Installed (with auxiliary lines)	10 870 mm	35'8"
With Boom/Stick Installed (with auxiliary lines)	10 830 mm	35'6"
With Boom Installed (with auxiliary lines)	9640 mm	31'8"

3 Upperframe Width without Walkways

2970 mm	9'9"
---------	------

4 Tail Swing Radius

3530 mm	11'7"
---------	-------

5 Counterweight Clearance

1260 mm	4'2"
---------	------

6 Ground Clearance

510 mm	1'8"
--------	------

7 Track Length – Length to Center of Rollers

4040 mm	13'3"
---------	-------

8 Track Length

5030 mm	16'6"
---------	-------

9 Track Gauge – Extended

2740 mm	9'0"
---------	------

10 Track Width/Undercarriage Width (with steps):

600 mm (24") Shoes	3340 mm	10'11"
700 mm (28") Shoes	3440 mm	11'3"
800 mm (31") Shoes	3540 mm	11'7"

Bucket Type

GDX

Bucket Capacity

1.90 m ³	2.48 yd ³
---------------------	----------------------

Bucket Tip Radius

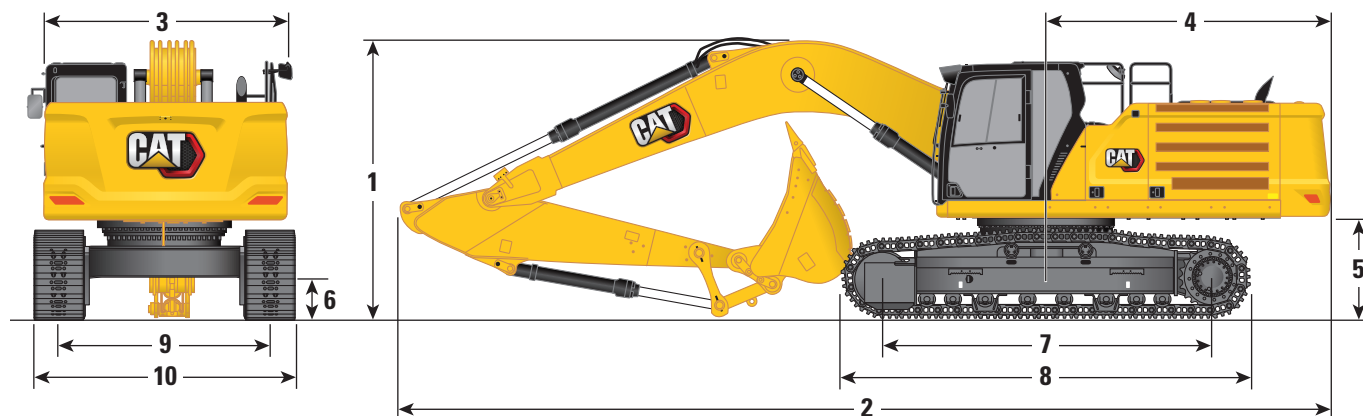
1850 mm	6.1 ft
---------	--------

(continued on next page)

340 Hydraulic Excavator Specifications

Dimensions (continued)

All dimensions are approximate and may vary depending on bucket selection.



Undercarriage Options

Boom Options

Stick Options

Long Undercarriage

Reach Boom 6.5 m (21'4")

Reach Stick

	R3.9DB (12'10")	R3.2DB (10'6")	R2.8DB (9'2")
--	-----------------	----------------	---------------

1 Machine Height:

Cab Height	3170 mm	10'5"	3170 mm	10'5"	3170 mm	10'5"
OPG Height	3310 mm	10'10"	3310 mm	10'10"	3310 mm	10'10"
Guardrails/Handrails Height	3160 mm	10'4"	3160 mm	10'4"	3160 mm	10'4"
With Boom/Stick/Bucket Installed	3670 mm	12'0"	3380 mm	11'1"	3580 mm	11'9"
With Boom/Stick Installed	3520 mm	11'7"	3320 mm	10'11"	3420 mm	11'3"
With Boom Installed	2880 mm	9'5"	2880 mm	9'5"	2880 mm	9'5"
With Boom/Stick/Bucket Installed (with auxiliary lines)	3710 mm	12'2"	3420 mm	11'3"	3600 mm	11'10"
With Boom/Stick Installed (with auxiliary lines)	3570 mm	11'9"	3390 mm	11'1"	3470 mm	11'5"
With Boom Installed (with auxiliary lines)	2970 mm	9'9"	2970 mm	9'9"	2970 mm	9'9"

2 Machine Length:

With Boom/Stick/Bucket Installed	11 180 mm	36'8"	11 140 mm	36'7"	11 190 mm	36'9"
With Boom/Stick Installed	11 160 mm	36'7"	11 120 mm	36'6"	11 170 mm	36'8"
With Boom Installed	9960 mm	32'8"	9960 mm	32'8"	9960 mm	32'8"
With Boom/Stick/Bucket Installed (with auxiliary lines)	11 180 mm	36'8"	11 140 mm	36'7"	11 190 mm	36'9"
With Boom/Stick Installed (with auxiliary lines)	11 160 mm	36'7"	11 120 mm	36'6"	11 170 mm	36'8"
With Boom Installed (with auxiliary lines)	10 010 mm	32'10"	10 010 mm	32'10"	10 010 mm	32'10"

3 Upperframe Width without Walkways

	2970 mm	9'9"	2970 mm	9'9"	2970 mm	9'9"
--	---------	------	---------	------	---------	------

4 Tail Swing Radius

	3530 mm	11'7"	3530 mm	11'7"	3530 mm	11'7"
--	---------	-------	---------	-------	---------	-------

5 Counterweight Clearance

	1250 mm	4'1"	1250 mm	4'1"	1250 mm	4'1"
--	---------	------	---------	------	---------	------

6 Ground Clearance

	510 mm	1'8"	510 mm	1'8"	510 mm	1'8"
--	--------	------	--------	------	--------	------

7 Track Length – Length to Center of Rollers

	4040 mm	13'3"	4040 mm	13'3"	4040 mm	13'3"
--	---------	-------	---------	-------	---------	-------

8 Track Length

	5030 mm	16'6"	5030 mm	16'6"	5030 mm	16'6"
--	---------	-------	---------	-------	---------	-------

9 Track Gauge – Extended

	2590 mm	8'6"	2590 mm	8'6"	2590 mm	8'6"
--	---------	------	---------	------	---------	------

10 Track Width/Undercarriage Width (with steps):

600 mm (24") Shoes	3190 mm	10'6"	3190 mm	10'6"	3190 mm	10'6"
700 mm (28") Shoes	3290 mm	10'10"	3290 mm	10'10"	3290 mm	10'10"
800 mm (31") Shoes	3390 mm	11'1"	3390 mm	11'1"	3390 mm	11'1"

Bucket Type

	GDX		GDX		GDX	
--	-----	--	-----	--	-----	--

Bucket Capacity

	1.50 m ³	1.96 yd ³	1.50 m ³	1.96 yd ³	1.50 m ³	1.96 yd ³
--	---------------------	----------------------	---------------------	----------------------	---------------------	----------------------

Bucket Tip Radius

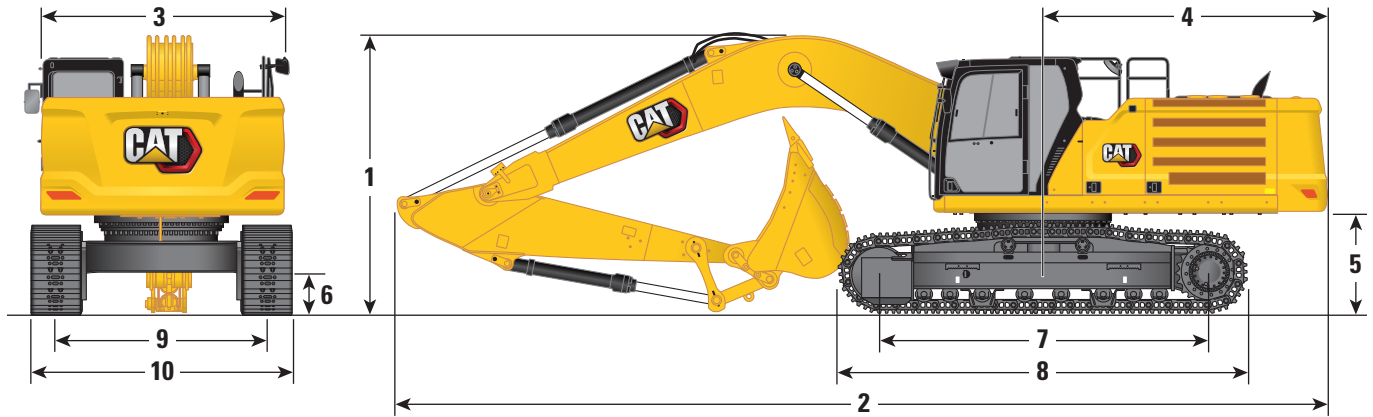
	1680 mm	5.5 ft	1680 mm	5.5 ft	1680 mm	5.5 ft
--	---------	--------	---------	--------	---------	--------

(continued on next page)

340 Hydraulic Excavator Specifications

Dimensions (continued)

All dimensions are approximate and may vary depending on bucket selection.



Undercarriage Options

Boom Options

Stick Options

Long Undercarriage

Mass Boom
6.18 m (20'3")

Mass Stick
M2.55TB (8'4")

1 Machine Height:

Cab Height	3170 mm	10'5"
OPG Height	3310 mm	10'10"
Guardrails/Handrails Height	3160 mm	10'4"
With Boom/Stick/Bucket Installed	3590 mm	11'9"
With Boom/Stick Installed	3330 mm	10'11"
With Boom Installed	2830 mm	9'3"
With Boom/Stick/Bucket Installed (with auxiliary lines)	3600 mm	11'10"
With Boom/Stick Installed (with auxiliary lines)	3340 mm	10'11"
With Boom Installed (with auxiliary lines)	2900 mm	9'6"

2 Machine Length:

With Boom/Stick/Bucket Installed	10 870 mm	35'8"
With Boom/Stick Installed	10 810 mm	35'6"
With Boom Installed	9640 mm	31'8"
With Boom/Stick/Bucket Installed (with auxiliary lines)	10 870 mm	35'8"
With Boom/Stick Installed (with auxiliary lines)	10 810 mm	35'6"
With Boom Installed (with auxiliary lines)	9640 mm	31'8"

3 Upperframe Width without Walkways

2970 mm	9'9"
---------	------

4 Tail Swing Radius

3530 mm	11'7"
---------	-------

5 Counterweight Clearance

1250 mm	4'1"
---------	------

6 Ground Clearance

510 mm	1'8"
--------	------

7 Track Length – Length to Center of Rollers

4040 mm	13'3"
---------	-------

8 Track Length

5030 mm	16'6"
---------	-------

9 Track Gauge – Extended

2590 mm	8'6"
---------	------

10 Track Width/Undercarriage Width (with steps):

600 mm (24") Shoes	3190 mm	10'6"
700 mm (28") Shoes	3290 mm	10'10"
800 mm (31") Shoes	3390 mm	11'1"

Bucket Type

GDX

Bucket Capacity

1.90 m ³	2.48 yd ³
---------------------	----------------------

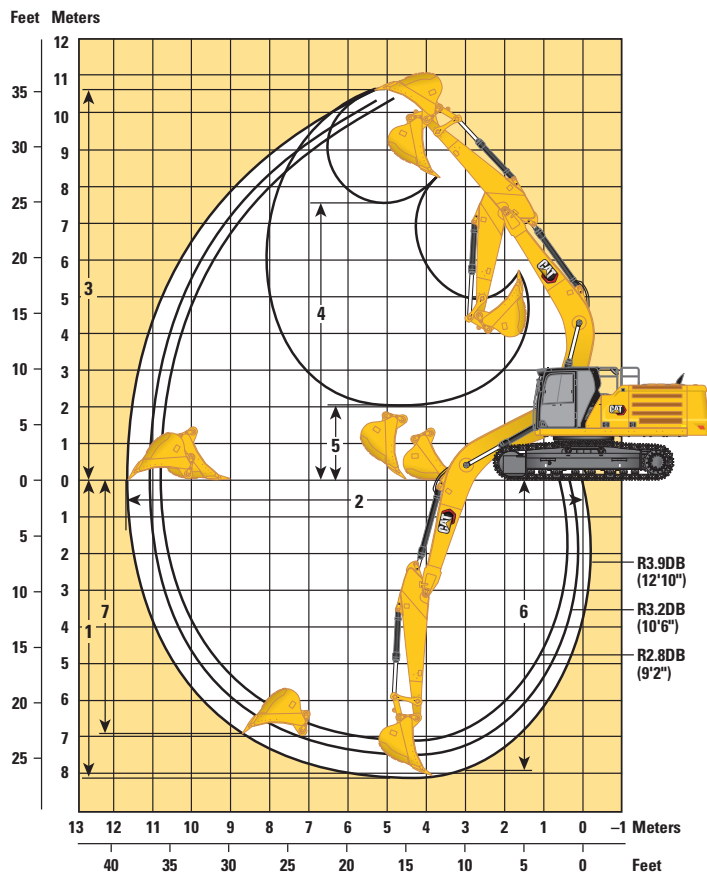
Bucket Tip Radius

1850 mm	6.1 ft
---------	--------

340 Hydraulic Excavator Specifications

Working Ranges and Forces

All dimensions are approximate and may vary depending on bucket selection.



Undercarriage Options

Long Wide Undercarriage

Boom Options

Reach Boom
6.5 m (21'4")

Stick Options

Reach Stick

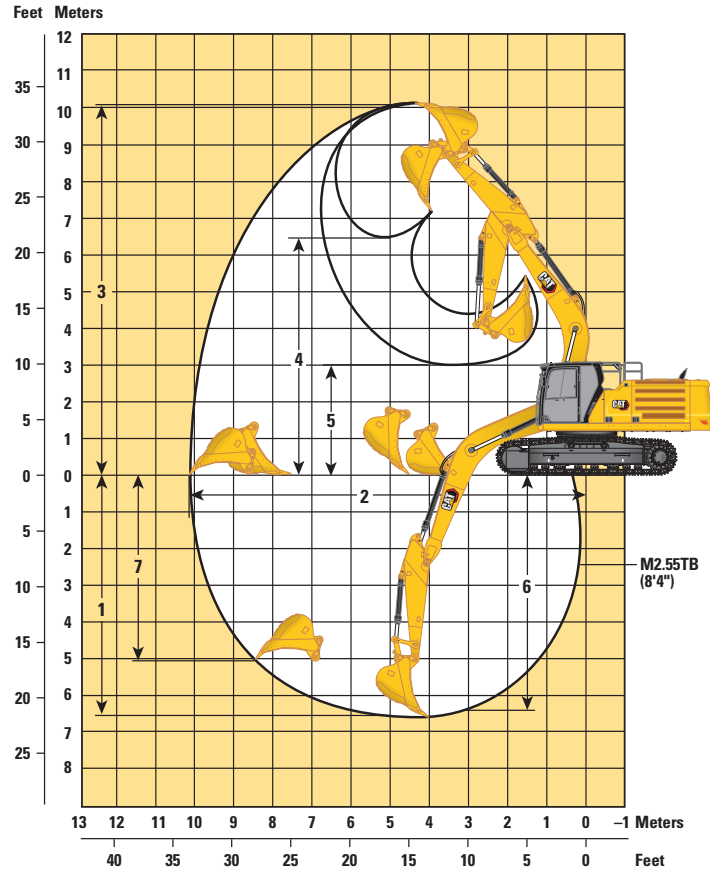
	R3.9DB (12'10")		R3.2DB (10'6")		R2.8DB (9'2")	
	mm	ft	mm	ft	mm	ft
1 Maximum Digging Depth	8090	26'7"	7390	24'3"	6990	22'11"
2 Maximum Reach at Ground Line	11 630	38'2"	10 930	35'10"	10 630	34'11"
3 Maximum Cutting Height	10 720	35'2"	10 300	33'10"	10 360	34'0"
4 Maximum Loading Height	7600	24'11"	7210	23'8"	7200	23'7"
5 Minimum Loading Height	2010	6'7"	2710	8'11"	3110	10'2"
6 Maximum Depth Cut for 2440 mm (8'0") Level Bottom	7960	26'1"	7230	23'9"	6820	22'5"
7 Maximum Vertical Wall Digging Depth	6960	22'10"	6140	20'2"	6070	19'11"
Bucket Digging Force (ISO)	223 kN	50,020 lbf	223 kN	50,020 lbf	223 kN	50,020 lbf
Stick Digging Force (ISO)	146 kN	32,910 lbf	169 kN	37,950 lbf	188 kN	42,290 lbf
Bucket Type	GDX		GDX		GDX	
Bucket Capacity	1.50 m ³	1.96 yd ³	1.50 m ³	1.96 yd ³	1.50 m ³	1.96 yd ³
Bucket Tip Radius	1680 mm	5.5 ft	1680 mm	5.5 ft	1680 mm	5.5 ft

(continued on next page)

340 Hydraulic Excavator Specifications

Working Ranges and Forces *(continued)*

All dimensions are approximate and may vary depending on bucket selection.



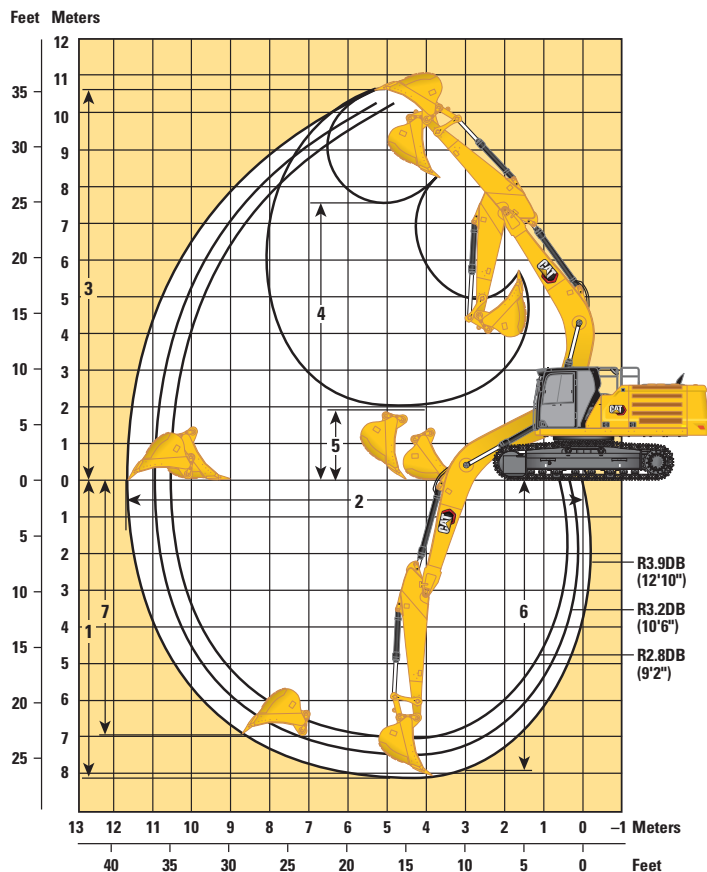
Undercarriage Options	Long Wide Undercarriage	
Boom Options	Mass Boom 6.18 m (20'3")	
Stick Options	Mass Stick M2.55TB (8'4")	
1 Maximum Digging Depth	6570 mm	21'7"
2 Maximum Reach at Ground Line	10 200 mm	33'6"
3 Maximum Cutting Height	10 050 mm	33'0"
4 Maximum Loading Height	6690 mm	21'11"
5 Minimum Loading Height	3000 mm	9'10"
6 Maximum Depth Cut for 2440 mm (8'0") Level Bottom	6400 mm	21'0"
7 Maximum Vertical Wall Digging Depth	5080 mm	16'8"
Bucket Digging Force (ISO)	269 kN	60,560 lbf
Stick Digging Force (ISO)	191 kN	42,940 lbf
Bucket Type	GD _X	
Bucket Capacity	1.90 m ³	2.48 yd ³
Bucket Tip Radius	1850 mm	6.1 ft

(continued on next page)

340 Hydraulic Excavator Specifications

Working Ranges and Forces *(continued)*

All dimensions are approximate and may vary depending on bucket selection.



Undercarriage Options

Long Undercarriage

Boom Options

Reach Boom 6.5 m (21'4")

Stick Options

Reach Stick

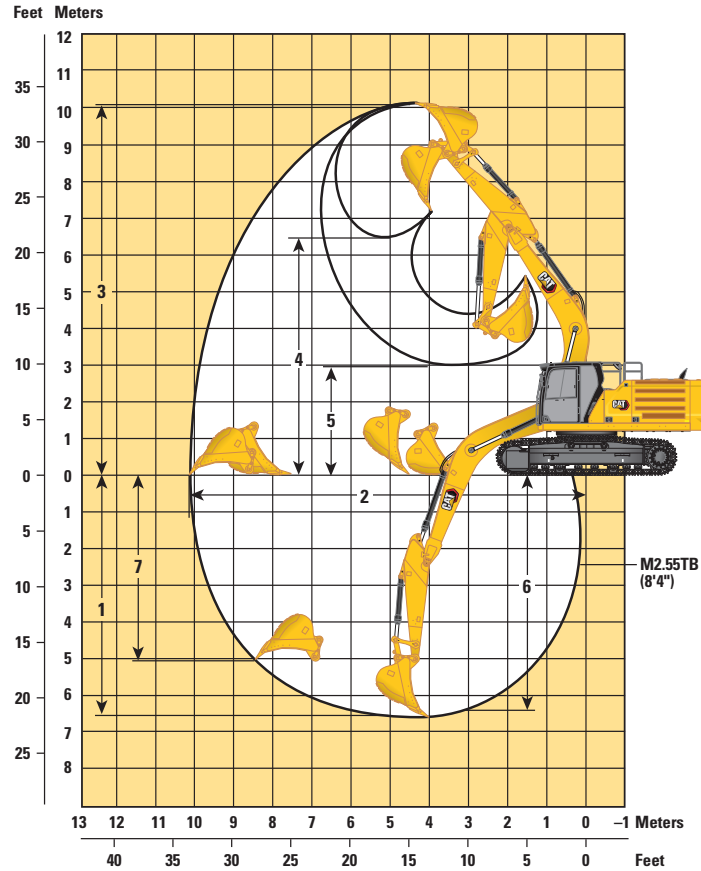
	R3.9DB (12'10")		R3.2DB (10'6")		R2.8DB (9'2")	
	mm	ft	mm	ft	mm	ft
1 Maximum Digging Depth	8110	26'7"	7410	24'4"	7010	23'0"
2 Maximum Reach at Ground Line	11 640	38'2"	10 940	35'11"	10 630	34'11"
3 Maximum Cutting Height	10 700	35'1"	10 290	33'9"	10 340	33'11"
4 Maximum Loading Height	7580	24'10"	7190	23'7"	7190	23'7"
5 Minimum Loading Height	1990	6'6"	2690	8'10"	3090	10'2"
6 Maximum Depth Cut for 2440 mm (8'0") Level Bottom	7970	26'2"	7240	23'9"	6840	22'5"
7 Maximum Vertical Wall Digging Depth	6970	22'10"	6150	20'2"	6080	19'11"
Bucket Digging Force (ISO)	223 kN	50,020 lbf	223 kN	50,020 lbf	223 kN	50,020 lbf
Stick Digging Force (ISO)	146 kN	32,910 lbf	169 kN	37,950 lbf	188 kN	42,290 lbf
Bucket Type	GDX		GDX		GDX	
Bucket Capacity	1.50 m ³	1.96 yd ³	1.50 m ³	1.96 yd ³	1.50 m ³	1.96 yd ³
Bucket Tip Radius	1680 mm	5.5 ft	1680 mm	5.5 ft	1680 mm	5.5 ft

(continued on next page)

340 Hydraulic Excavator Specifications

Working Ranges and Forces *(continued)*

All dimensions are approximate and may vary depending on bucket selection.



Undercarriage Options

Long Undercarriage

Boom Options

Mass Boom
6.18 m (20'3")

Stick Options

Mass Stick
M2.55TB (8'4")

1 Maximum Digging Depth	6590 mm	21'7"
2 Maximum Reach at Ground Line	10 200 mm	33'6"
3 Maximum Cutting Height	10 040 mm	32'11"
4 Maximum Loading Height	6680 mm	21'11"
5 Minimum Loading Height	2980 mm	9'9"
6 Maximum Depth Cut for 2440 mm (8'0") Level Bottom	6410 mm	21'0"
7 Maximum Vertical Wall Digging Depth	5090 mm	16'8"
Bucket Digging Force (ISO)	269 kN	60,560 lbf
Stick Digging Force (ISO)	191 kN	42,940 lbf
Bucket Type	GD _X	
Bucket Capacity	1.90 m ³	2.48 yd ³
Bucket Tip Radius	1850 mm	6.1 ft

340 Hydraulic Excavator Specifications

Bucket Specifications and Compatibility

	Linkage	Width		Capacity		Weight		Fill	Long Undercarriage										
									6.8 mt (15,000 lb) Counterweight				7.56 mt (16,700 lb) Counterweight						
		Reach		Mass		Reach HD			Reach			Mass							
		R2.8 (9'2")	R3.2 (10'6")	R3.9 (12'10")	M2.55 (8'4")	R2.8 (9'2") HD	R3.2 (10'6") HD	R3.9 (12'10") HD	R2.8 (9'2")	R3.2 (10'6")	R3.9 (12'10")	M2.55 (8'4")							
Pin-On (No Quick Coupler)																			
General Duty	DB	1400	55	1.40	1.83	1163	2,563	100	●	●	●		●	●	●	●	●	●	
	DB	1450	57	1.50	1.96	1200	2,645	100	●	●	●		●	●	●	●	●	●	
	DB	1550	61	1.60	2.09	1262	2,783	100	●	●	●		●	●	●	●	●	●	
Heavy Duty	DB	1450	57	1.40	1.83	1467	3,234	100	●	●	●		●	●	●	●	●	●	
	DB	1500	59	1.50	1.96	1518	3,346	100	●	●	⊙		●	●	●	●	●	●	
General Duty	TB	1600	63	2.00	2.62	1974	4,347	100				⊙							●
Heavy Duty	TB	1550	61	1.90	2.48	2346	5,166	100				⊙							●
Maximum load with pin-on (payload + bucket)								kg	5400	5110	4460	5820	5720	5400	4700	5800	5500	4810	6270
								lb	11,905	11,266	9,833	12,831	12,610	11,905	10,362	12,787	12,125	10,604	13,823

	Linkage	Width		Capacity		Weight		Fill	Long Wide Undercarriage										
									6.8 mt (15,000 lb) Counterweight				7.56 mt (16,700 lb) Counterweight						
		Reach		Mass		Reach HD			Reach			Mass							
		R2.8 (9'2")	R3.2 (10'6")	R3.9 (12'10")	M2.55 (8'4")	R2.8 (9'2") HD	R3.2 (10'6") HD	R3.9 (12'10") HD	R2.8 (9'2")	R3.2 (10'6")	R3.9 (12'10")	M2.55 (8'4")							
Pin-On (No Quick Coupler) (continued)																			
General Duty	DB	1400	55	1.40	1.83	1163	2,563	100	●	●	●		●	●	●	●	●	●	
	DB	1450	57	1.50	1.96	1200	2,645	100	●	●	●		●	●	●	●	●	●	
	DB	1550	61	1.60	2.09	1262	2,783	100	●	●	●		●	●	●	●	●	●	
Heavy Duty	DB	1450	57	1.40	1.83	1467	3,234	100	●	●	●		●	●	●	●	●	●	
	DB	1500	59	1.50	1.96	1518	3,346	100	●	●	●		●	●	●	●	●	●	
General Duty	TB	1600	63	2.00	2.62	1974	4,347	100				●							●
Heavy Duty	TB	1550	61	1.90	2.48	2346	5,166	100				●							●
Maximum load with pin-on (payload + bucket)								kg	5790	5480	4790	6270	6120	5780	5040	6200	5880	5150	6730
								lb	12,765	12,081	10,560	13,823	13,492	12,743	11,111	13,669	12,963	11,354	14,837

The above loads are in compliance with hydraulic excavator standard EN474-5:2006 + A3:2013, they do not exceed 87% of hydraulic lifting capacity or 75% of tipping capacity with front linkage fully extended at ground line with bucket curled.

Capacity based on ISO 7451:2007.

Bucket weight with General Duty tips.

Maximum Material Density:

- 2100 kg/m³ (3,500 lb/yd³)
- ⊙ 1800 kg/m³ (3,000 lb/yd³)

Caterpillar recommends using appropriate work tools to maximize the value customers receive from our products. Use of work tools, including buckets, which are outside of Caterpillar's recommendations or specifications for weight, dimensions, flows, pressures, etc. may result in less-than-optimal performance, including but not limited to reductions in production, stability, reliability, and component durability. Improper use of a work tool resulting in sweeping, prying, twisting and/or catching of heavy loads will reduce the life of the boom and stick.

(continued on next page)

340 Hydraulic Excavator Specifications

Bucket Specifications and Compatibility (continued)

	Linkage	Width		Capacity		Weight		Fill	Long Undercarriage										
									6.8 mt (15,000 lb) Counterweight				7.56 mt (16,700 lb) Counterweight						
		mm	in	m ³	yd ³	kg	lb	%	Reach			Mass	Reach HD			Reach			Mass
									R2.8 (9'2")	R3.2 (10'6")	R3.9 (12'10")	M2.55 (8'4")	R2.8 (9'2") HD	R3.2 (10'6") HD	R3.9 (12'10") HD	R2.8 (9'2")	R3.2 (10'6")	R3.9 (12'10")	M2.55 (8'4")
With Cat Pin Grabber Coupler																			
General Duty	DB	1400	55	1.40	1.83	1163	2,563	100	●	●	⊙		●	●	●	●	●	●	
	DB	1450	57	1.50	1.96	1200	2,645	100	●	●	⊖		●	●	⊙	●	●	⊙	
	DB	1550	61	1.60	2.09	1262	2,783	100	●	⊙	⊖		●	●	⊙	●	●	⊙	
Heavy Duty	DB	1450	57	1.40	1.83	1467	3,234	100	●	●	⊖		●	●	⊙	●	●	⊙	
	DB	1500	59	1.50	1.96	1518	3,346	100	●	⊙	⊖		●	●	⊖	●	●	⊙	
General Duty	TB	1600	63	2.00	2.62	1974	4,347	100				○							⊖
Heavy Duty	TB	1550	61	1.90	2.48	2346	5,166	100				○							⊖
Maximum load with coupler (payload + bucket)								kg	4702	4412	3762	4767	5022	4702	4002	5102	4802	4112	5217
								lb	10,367	9,727	8,294	10,509	11,072	10,367	8,824	11,249	10,587	9,066	11,501

	Linkage	Width		Capacity		Weight		Fill	Long Wide Undercarriage										
									6.8 mt (15,000 lb) Counterweight				7.56 mt (16,700 lb) Counterweight						
		mm	in	m ³	yd ³	kg	lb	%	Reach			Mass	Reach HD			Reach			Mass
									R2.8 (9'2")	R3.2 (10'6")	R3.9 (12'10")	M2.55 (8'4")	R2.8 (9'2") HD	R3.2 (10'6") HD	R3.9 (12'10") HD	R2.8 (9'2")	R3.2 (10'6")	R3.9 (12'10")	M2.55 (8'4")
With Cat Pin Grabber Coupler (continued)																			
General Duty	DB	1400	55	1.40	1.83	1163	2,563	100	●	●	●		●	●	●	●	●	●	
	DB	1450	57	1.50	1.96	1200	2,645	100	●	●	⊙		●	●	●	●	●	●	
	DB	1550	61	1.60	2.09	1262	2,783	100	●	●	⊙		●	●	⊙	●	●	⊙	
Heavy Duty	DB	1450	57	1.40	1.83	1467	3,234	100	●	●	⊙		●	●	●	●	●	●	
	DB	1500	59	1.50	1.96	1518	3,346	100	●	●	⊙		●	●	⊙	●	●	⊙	
General Duty	TB	1600	63	2.00	2.62	1974	4,347	100				⊖							⊙
Heavy Duty	TB	1550	61	1.90	2.48	2346	5,166	100				⊖							⊙
Maximum load with coupler (payload + bucket)								kg	5092	4782	4092	5217	5422	5082	4342	5502	5182	4452	5677
								lb	11,227	10,543	9,022	11,501	11,954	11,205	9,573	12,130	11,425	9,816	12,515

The above loads are in compliance with hydraulic excavator standard EN474-5:2006 + A3:2013, they do not exceed 87% of hydraulic lifting capacity or 75% of tipping capacity with front linkage fully extended at ground line with bucket curled.

Capacity based on ISO 7451:2007.

Bucket weight with General Duty tips.

Maximum Material Density:

- 2100 kg/m³ (3,500 lb/yd³)
- ⊙ 1800 kg/m³ (3,000 lb/yd³)
- ⊖ 1500 kg/m³ (2,500 lb/yd³)
- 1200 kg/m³ (2,000 lb/yd³)

Caterpillar recommends using appropriate work tools to maximize the value customers receive from our products. Use of work tools, including buckets, which are outside of Caterpillar's recommendations or specifications for weight, dimensions, flows, pressures, etc. may result in less-than-optimal performance, including but not limited to reductions in production, stability, reliability, and component durability. Improper use of a work tool resulting in sweeping, prying, twisting and/or catching of heavy loads will reduce the life of the boom and stick.

340 Hydraulic Excavator Specifications

Attachments Offering Guide

Not all Attachments are available in all regions. Consult your Cat dealer for configurations available in your region.

Match

* Working range front only

No Match

PIN-ON ATTACHMENTS

Undercarriage		Long										
Counterweight		6.8 mt (15,000 lb)				7.56 mt (16,700 lb)						
Boom Type		Reach			Mass	Reach			Reach HD			Mass
Stick Length		2.80 m (9'2")	3.20 m (10'6")	3.90 m (12'10")	2.55 m (8'4")	2.80 m (9'2")	3.20 m (10'6")	3.90 m (12'10")	2.80 m HD (9'2")	3.20 m HD (10'6")	3.90 m HD (12'10")	2.55 m (8'4")
Hydraulic Hammers	H140 S	✓	✓	✓	✓	✓	✓	✓	✓	✓	✓	✓
	H160 S	✓	✓	✓	✓	✓	✓	✓	✓	✓	✓	✓
	H180 S	✓	✓		✓	✓	✓	✓*	✓	✓	✓*	✓
Rotary Cutters	RC30	✓	✓	✓		✓	✓	✓	✓	✓	✓	
	RC50				✓							✓

PIN-ON ATTACHMENTS (continued)

Undercarriage		Long Wide										
Counterweight		6.8 mt (15,000 lb)				7.56 mt (16,700 lb)						
Boom Type		Reach			Mass	Reach			Reach HD			Mass
Stick Length		2.80 m (9'2")	3.20 m (10'6")	3.90 m (12'10")	2.55 m (8'4")	2.80 m (9'2")	3.20 m (10'6")	3.90 m (12'10")	2.80 m HD (9'2")	3.20 m HD (10'6")	3.90 m HD (12'10")	2.55 m (8'4")
Hydraulic Hammers	H140 S	✓	✓	✓	✓	✓	✓	✓	✓	✓	✓	✓
	H160 S	✓	✓	✓	✓	✓	✓	✓	✓	✓	✓	✓
	H180 S	✓	✓	✓*	✓	✓	✓	✓	✓	✓	✓	✓
Rotary Cutters	RC30	✓	✓	✓		✓	✓	✓	✓	✓	✓	
	RC50				✓							✓

(continued on next page)

340 Hydraulic Excavator Specifications

Attachments Offering Guide *(continued)*

Not all Attachments are available in all regions. Consult your Cat dealer for configurations available in your region.

Match * Working range front only No Match

CAT PIN GRABBER COUPLER ATTACHMENTS

Undercarriage		Long										
Counterweight		6.8 mt (15,000 lb)				7.56 mt (16,700 lb)						
Boom Type		Reach			Mass	Reach			Reach HD			Mass
Stick Length		2.80 m (9'2")	3.20 m (10'6")	3.90 m (12'10")	2.55 m (8'4")	2.80 m (9'2")	3.20 m (10'6")	3.90 m (12'10")	2.80 m HD (9'2")	3.20 m HD (10'6")	3.90 m HD (12'10")	2.55 m (8'4")
Hydraulic Hammers	H140 S	✓	✓	✓	✓	✓	✓	✓	✓	✓	✓	✓
	H160 S	✓	✓	✓*	✓	✓	✓	✓	✓	✓	✓	✓
	H180 S					✓	✓*		✓*			✓*
Rotary Cutters	RC30	✓	✓	✓		✓	✓	✓	✓	✓	✓	
	RC50				✓							✓

CAT PIN GRABBER COUPLER ATTACHMENTS *(continued)*

Undercarriage		Long Wide										
Counterweight		6.8 mt (15,000 lb)				7.56 mt (16,700 lb)						
Boom Type		Reach			Mass	Reach			Reach HD			Mass
Stick Length		2.80 m (9'2")	3.20 m (10'6")	3.90 m (12'10")	2.55 m (8'4")	2.80 m (9'2")	3.20 m (10'6")	3.90 m (12'10")	2.80 m HD (9'2")	3.20 m HD (10'6")	3.90 m HD (12'10")	2.55 m (8'4")
Hydraulic Hammers	H140 S	✓	✓	✓	✓	✓	✓	✓	✓	✓	✓	✓
	H160 S	✓	✓	✓	✓	✓	✓	✓	✓	✓	✓	✓
	H180 S	✓*	✓*		✓*	✓	✓		✓	✓*		✓
Rotary Cutters	RC30	✓	✓	✓		✓	✓	✓	✓	✓	✓	
	RC50				✓							✓

(continued on next page)

340 Hydraulic Excavator Specifications

Attachments Offering Guide *(continued)*

Not all Attachments are available in all regions. Consult your Cat dealer for configurations available in your region.

Match

* Working range front only

No Match

BOOM-MOUNT

Undercarriage		Long						Long Wide			
		6.8 mt (15,000 lb)		7.56 mt (16,700 lb)			6.8 mt (15,000 lb)		7.56 mt (16,700 lb)		
Counterweight		Reach	Mass	Reach	Reach HD	Mass	Reach	Mass	Reach	Reach HD	Mass
Mobile Scrap and Demolition Shears	S2070	✓	✓	✓	✓	✓	✓	✓	✓	✓	✓
	S2090	✓	✓	✓	✓	✓	✓	✓	✓	✓	✓
	S3070-Flat Top	✓*		✓	✓		✓		✓	✓	

340 Standard and Optional Equipment

Standard and Optional Equipment

Standard and optional equipment may vary. Consult your Cat dealer for details.

	Standard	Optional		Standard	Optional
BOOMS, STICKS AND LINKAGES			CAT TECHNOLOGY (continued)		
6.18 m (20'3") Mass boom		✓	Cat Payload:		
6.5 m (21'4") Reach boom		✓	– On-the-go weighing	✓	
6.5 m (21'4") HD Reach boom		✓	– Semiautomatic calibration	✓	
2.55 m (8'4") Mass stick		✓	– Payload/cycle information	✓	
2.8 m (9'2") Reach stick		✓	– VisionLink Productivity back office reporting		✓ ²
2.8 m (9'2") HD Reach stick		✓	Cat Advanced Payload:		
3.2 m (10'6") Reach stick		✓	– Daily totals		✓
3.2 m (10'6") HD Reach stick		✓	– Custom lists		✓
3.9 m (12'10") Reach stick		✓	– Smart weight target		✓
3.9 m (12'10") HD Reach stick		✓	– E-ticket Integration		✓ ²
DB family bucket linkage without lifting eye		✓	Other:		
TB family bucket linkage without lifting eye		✓	Cat Tiltrotator (TRS) integration		✓
CAT TECHNOLOGY			ELECTRICAL SYSTEM		
Cat Equipment Management:			Maintenance-free 1,000 CCA batteries (×2)	✓	
– VisionLink®	✓ ¹		Centralized electrical disconnect switch	✓	
– VisionLink Productivity		✓ ²	LED exterior chassis and boom lights	✓	
– Remote Flash	✓		Premium surround working lights		✓
– Remote Troubleshoot	✓		ENGINE		
– Work tool recognition and tracking (PL161)	✓		3000 m (9,842 ft) altitude capability	✓	
– Operator Coaching		✓ ³	115 Amp alternator	✓	
Cat Grade:			Cold start block heaters		✓
– Cat Grade with 2D	✓		Three selectable modes: Power, Smart, Eco	✓	
– Cat Grade with 2D with Attachment Ready Option (ARO)		✓	Auto engine speed control	✓	
– Laser catcher		✓	52° C (126° F) high-ambient cooling	✓	
– Cat Grade with 3D (single or dual Global Navigation Satellite System [GNSS])		✓	Hydraulic reverse fan	✓	
– Compatible with 3D grade systems from Trimble, Topcon, and Leica	✓		–18° C (0° F) cold start capability	✓	
– Cat Grade 3D Ready		✓	Double element air filter with integrated pre-cleaner	✓	
– Cat Grade Connectivity		✓ ²	Dual stage four micron main filter	✓	
Cat Assist:			10 micron primary filter with water separator	✓	
– Grade Assist	✓		Electric fuel priming pump	✓	
– Boom Assist	✓		Secure start with PIN code	✓	
– Bucket Assist	✓		Remote disable	✓	
– Swing Assist	✓				
– Lift Assist	✓				

¹Provides core telematics data to manage health, maintenance insights, and condition monitoring. Other plans available for more comprehensive data reporting. Consult your Cat dealer for details.

²VisionLink subscription required. Consult your Cat dealer for details.

³VisionLink subscription required for back office reporting. Consult your Cat dealer for details.

(continued on next page)

Standard and Optional Equipment (continued)

Standard and optional equipment may vary. Consult your Cat dealer for details.

	Standard	Optional		Standard	Optional
HYDRAULIC SYSTEM			SERVICE AND MAINTENANCE		
Boom and stick regeneration circuit	✓		Integrated vehicle health management system	✓	
Electronic main control valve	✓		Grouped engine oil and fuel filters	✓	
Auto hydraulic oil warmup	✓		Scheduled Oil Sampling (S·O·S SM) ports	✓	
Bio hydraulic oil capability	✓		UNDERCARRIAGE AND STRUCTURES		
Reverse swing damping valve	✓		Long undercarriage		✓
Auto swing parking brake	✓		Long wide undercarriage		✓
High performance hydraulic return filter	✓		Towing eye on base frame	✓	
Two speed travel	✓		Full-length track guiding guards		✓
Combined two-way auxiliary circuit		✓	Center track guiding guards		✓
Combined two-way auxiliary circuit with hammer return filter		✓	Swivel guard	✓	
Medium-pressure auxiliary circuit		✓	HD bottom guard	✓	
Quick coupler circuit for Cat Pin Grabber		✓	HD travel motor guards	✓	
Hydraulic efficiency monitoring		✓	Grease lubricated track	✓	
SAFETY AND SECURITY			6.8 mt (15,000 lb) counterweight		✓
Cat Command remote control		✓	7.56 mt (16,700 lb) counterweight		✓
2D E-Fence:	✓		600 mm (24") double grouser track shoes		✓
– E-ceiling			700 mm (28") triple grouser track shoes		✓
– E-floor			800 mm (31") triple grouser track shoes		✓
– E-swing					
– E-wall					
– E-cab avoidance					
Auto hammer stop	✓				
Caterpillar One Key security system	✓				
Lockable external tool/storage box	✓				
Lockable door, fuel, and hydraulic tank locks	✓				
Lockable fuel drain compartment	✓				
Lockable disconnect switch	✓				
Service platform with anti-skid plate and recessed bolts	✓				
Right Hand (RH) handrail and handhold	✓				
Signaling/warning horn	✓				
Travel alarm		✓			
Swing alarm		✓			
Ground-level secondary engine shutoff switch	✓				
Rear and right-hand-sideview cameras	✓				
360° visibility		✓			
Operator Protective Guards		✓			
Inspection lighting		✓			

Dealer Installed Kits and Attachments

Attachments may vary. Consult your Cat dealer for details.

CAB <ul style="list-style-type: none">• Horizontal joystick sliders• Lower radial wiper• Left Hand (LH)/RH electrical pedal for tool control• Rain protector for front windshield and cab light cover• Polycarbonate roof hatch	ELECTRICAL <ul style="list-style-type: none">• Premium surround working lights GUARDS <ul style="list-style-type: none">• Side rubber bumper guard• Mesh guard full front• Mesh guard half front• Full protecting vandalism guard	SAFETY AND SECURITY <ul style="list-style-type: none">• Bluetooth® receiver kit• Bluetooth key fob• Operator Protective Guards• P5A laminated glass• Cat Detect – People Detection• Cat Command – Remote control kit
--	---	--

	Deluxe	Premium (2P)	Premium (1P)
ROPS	●	●	●
Operator Protective Guards (OPG)	○	○	○
High-resolution 203 mm (8") LCD touchscreen monitor	●	X	X
High-resolution 254 mm (10") LCD touchscreen monitor	○	●	●
Auto bi-level air conditioner	●	●	●
Jog dial and shortcut keys for monitor control	●	●	●
Keyless push-to-start engine control	●	●	●
Height-adjustable console	●	●	●
Tilt-up left-side console	●	●	●
Heated air-suspension seat	●	X	X
Heated and ventilated air-suspension seat	X	●	●
51 mm (2") seat belt	●	●	●
Monitor integrated Bluetooth radio with USB/Auxiliary ports	●	●	●
12V DC outlets	●	●	●
Document storage	●	●	●
Overhead storage and rear storage with nets	●	●	●
Beverage holder	●	●	●
Cup holder	●	●	●
Openable two-piece front window	●	●	○
One piece front windshield	X	○	●
Rear window emergency exit	●	●	●
Radial wiper with washer	●	X	X
Parallel wiper	X	●	●
Openable polycarbonate skylight hatch	●	●	X
Laminated roof glass	X	X	●
LED dome light	●	●	●
Floor welcome light	●	●	●
Roof sunscreen	●	●	●
Roller front sunscreen	●	●	●
Roller rear sunscreen	○	●	●
Washable floor mat	●	●	●
Beacon ready	●	●	●
Cat Stick Steer	○	○	○
Auxiliary relay	○	○	○

● Standard

○ Optional

X Not available

340 Environmental Declaration

The following information applies to the machine at the time of final manufacture as configured for sale in the regions covered in this document. The content of this declaration is valid as of the date issued; however, content related to machine features and specifications are subject to change without notice. For additional information, please see the machine's Operation and Maintenance Manual.

For more information on sustainability in action and our progress, please visit <https://www.caterpillar.com/en/company/sustainability>.

Engine

- The Cat® C9.3B engine meets U.S. EPA Tier 4 Final, EU Stage V, and Japan 2014 emission standards,
- All Cat nonroad U.S. EPA Tier 4 Final, EU Stage V, Japan 2014, Korea Stage V, India CEV Stage V, and China Nonroad Stage IV diesel engines are required to use ULSD (ultra-low sulfur diesel with 15 ppm of sulfur or less) or ULSD blended with the following lower-carbon intensity fuels** up to:
 - ✓ 20% biodiesel FAME (fatty acid methyl ester)*
 - ✓ 100% renewable diesel, HVO (hydrotreated vegetable oil) and GTL (gas-to-liquid) fuels

Refer to guidelines for successful application. Please consult your Cat dealer or "Caterpillar Machine Fluids Recommendations" (SEBU6250) for details.

**Engines with no aftertreatment devices can use higher blends, up to 100% biodiesel (for use of blends higher than 20% biodiesel, consult your Cat dealer).*

***Tailpipe greenhouse gas emissions from lower-carbon intensity fuels are essentially the same as traditional fuels.*

Air Conditioning System

- The air conditioning system on this machine contains the fluorinated greenhouse gas refrigerant R134a (Global Warming Potential = 1430). The system contains 1.0 kg (2.2 lb) of refrigerant which has a CO₂ equivalent of 1.430 metric tonnes (1.576 tons).

Paint

- Based on best available knowledge, the maximum allowable concentration, measured in parts per million (PPM), of the following heavy metals in paint are:
 - Barium < 0.01%
 - Cadmium < 0.01%
 - Chromium < 0.01%
 - Lead < 0.01%

Sound Performance

ISO 6395:2008 (external) – 106 dB(A)

ISO 6396:2008 (inside cab) – 73 dB(A)

- Hearing protection may be needed when operating with an open operator station and cab (when not properly maintained or doors/windows open) for extended periods or in a noisy environment.

Oils and Fluids

- Caterpillar factory fills with ethylene glycol coolants. Cat Diesel Engine Antifreeze/Coolant (DEAC) and Cat Extended Life Coolant (ELC) can be recycled. Consult your Cat dealer for more information.
- Cat Bio HYDO™ Advanced is an EU Ecolabel approved biodegradable hydraulic oil.
- Additional fluids are likely to be present, please consult the Operations and Maintenance Manual or the Application and Installation guide for complete fluid recommendations and maintenance intervals.

Features and Technology

- The following features and technology may contribute to fuel savings and/or carbon reduction. Features may vary. Consult your Cat dealer for details.
 - Smart mode matches machine power to digging requirements automatically
 - Eco mode supports reduced fuel consumption for light applications
 - One-touch low idle with automatic engine speed control
 - Available Cat technologies help improve operator efficiency
 - Extended service intervals help decrease maintenance costs



オフロード法2014年
基準適合



国土交通省
超低騒音型建設機械

For more complete information on Cat products, dealer services, and industry solutions, visit us on the web at www.cat.com

© 2024 Caterpillar
All rights reserved

Materials and specifications are subject to change without notice. Featured machines in photos may include additional equipment. See your Cat dealer for available options.

CAT, CATERPILLAR, LET'S DO THE WORK, their respective logos, "Caterpillar Corporate Yellow," the "Power Edge" and Cat "Modern Hex" trade dress as well as corporate and product identity used herein, are trademarks of Caterpillar and may not be used without permission. VisionLink is a trademark of Caterpillar Inc., registered in the United States and in other countries.

Based on the Labor, Safety and Health Laws in Japan, employer of small construction equipment are required to provide specific training for all operators on machines with machine weight less than 3 metric ton. For machines greater than 3 metric ton, operator needs to obtain operator license certification from a Government approved registered training school.

AEXQ4071-00 (11-2024)
Build Number: 08D
(Japan)

